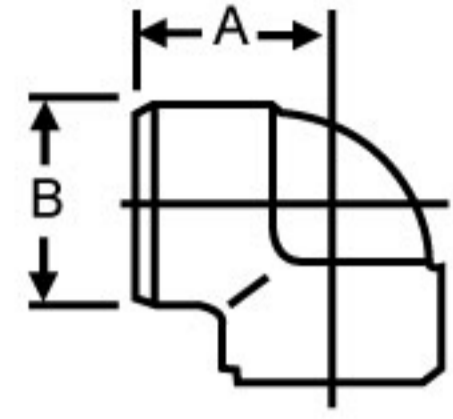
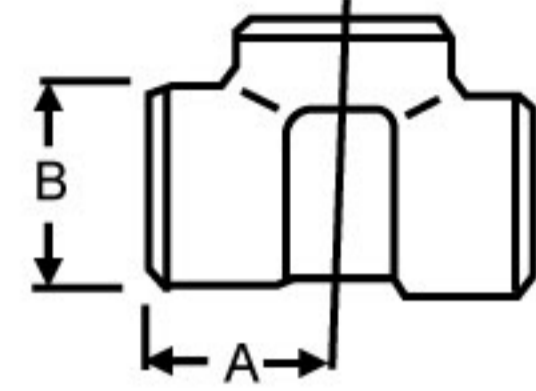


# FORGED SCREWED FITTING TO ANSI B-16.11 3000/6000 LBS. THREADED TO ASA B 2.1

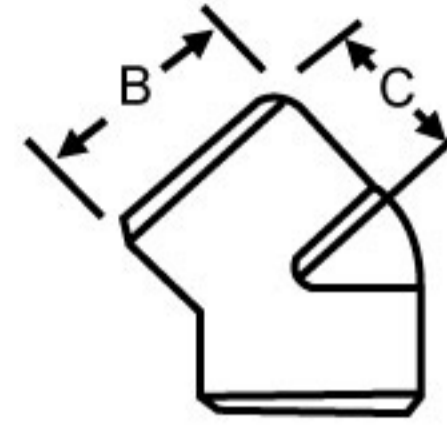
90° ELBOW



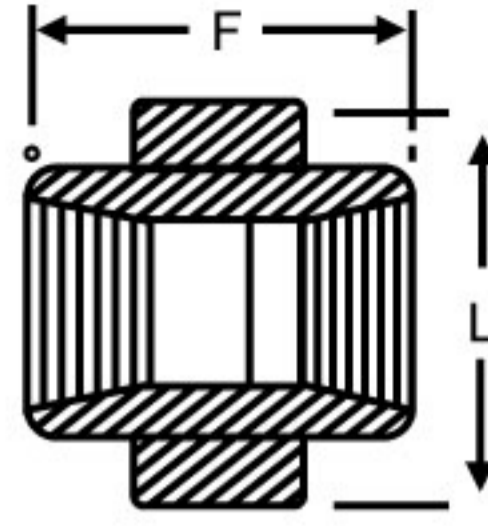
TEE



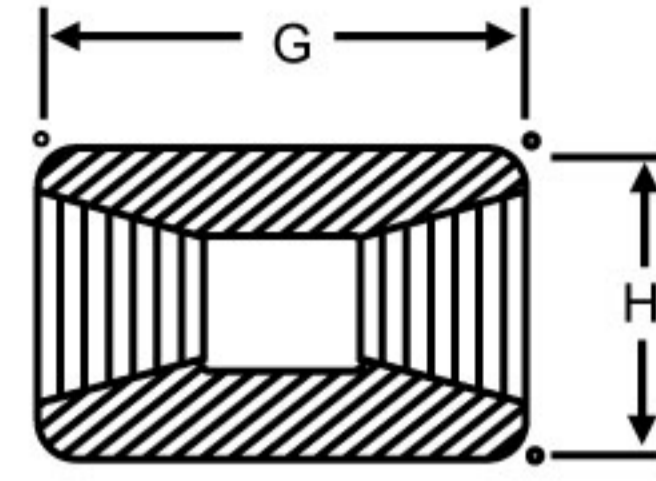
45° ELBOW



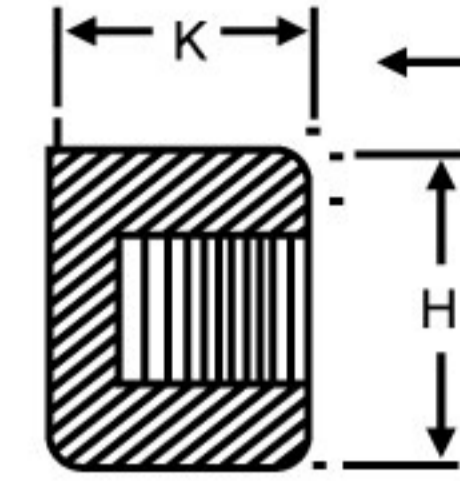
UNION



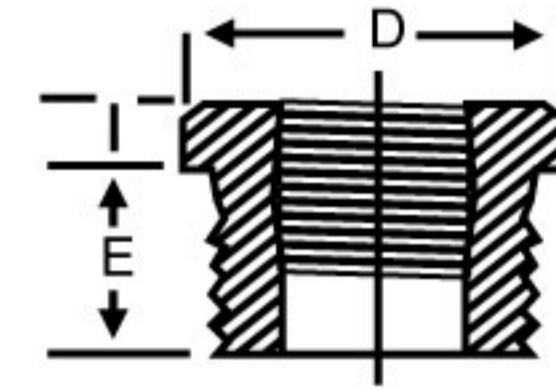
COUPLING



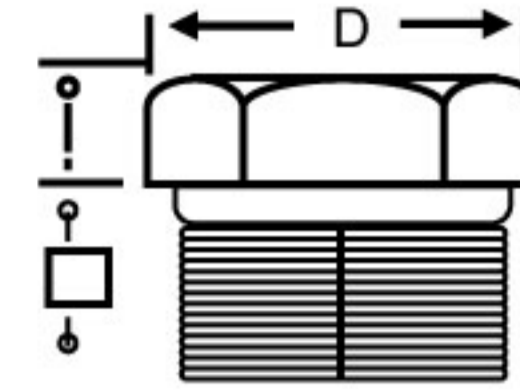
PIPE CAP



BUSHING



HEX HEAD PLUG



**(DIMENSIONS IN MM)**

NOM BORE	PIPE O.D.	3000 LBS						COMMON FACTORS						6000 LBS					
		A	B	C	G	H	K	D	E	F	I	J	L	A	B	C	G	H	K
1/8"	10.3	21	22	17	32	16	19	11	10	40	-	6	-	25	25	19	32	22	-
1/4"	13.7	25	25	19	35	19	25	16	11	43	3	6	32	29	33	22	35	25	27
3/8"	17.2	29	33	22	38	22	25	17.5	13	48	4	8	38	33	38	25	38	32	27
1/2"	21.3	33	38	25	48	29	32	22	15	51	5	8	46	38	46	29	48	38	33
3/4"	26.7	38	46	29	51	35	37	27	16	57	6	10	51	44	56	33	51	44	38
1"	33.4	44	56	33	60	44	41	35	19	64	6	10	60	51	62	35	60	57	43
1 1/4"	42.2	51	62	35	67	57	44	44.5	21	70	7	14	72	60	75	43	67	64	46
1 1/2"	48.3	60	75	43	79	64	44	51	21	79	8	16	80	64	84	44	79	76	48
2"	60.3	64	84	45	86	76	48	63.5	22	88	9	17	94	83	102	52	86	92	51
2 1/2"	73.02	83	102	52	92	92	60	76	27	118	10	21	122	95	121	64	92	108	64
3"	89.0	95	121	64	108	108	65	89	29	121	10	65	140	106	146	79	108	127	68
4"	114.5	114	152	79	121	140	68	117.5	32	150	13	25	180	114	152	79	121	159	75

DIMENSIONS AND OTHERS SPECIFICATIONS AS PER CUSTOMERS REQUIREMENTS ARE AVAILABLE ON REQUEST